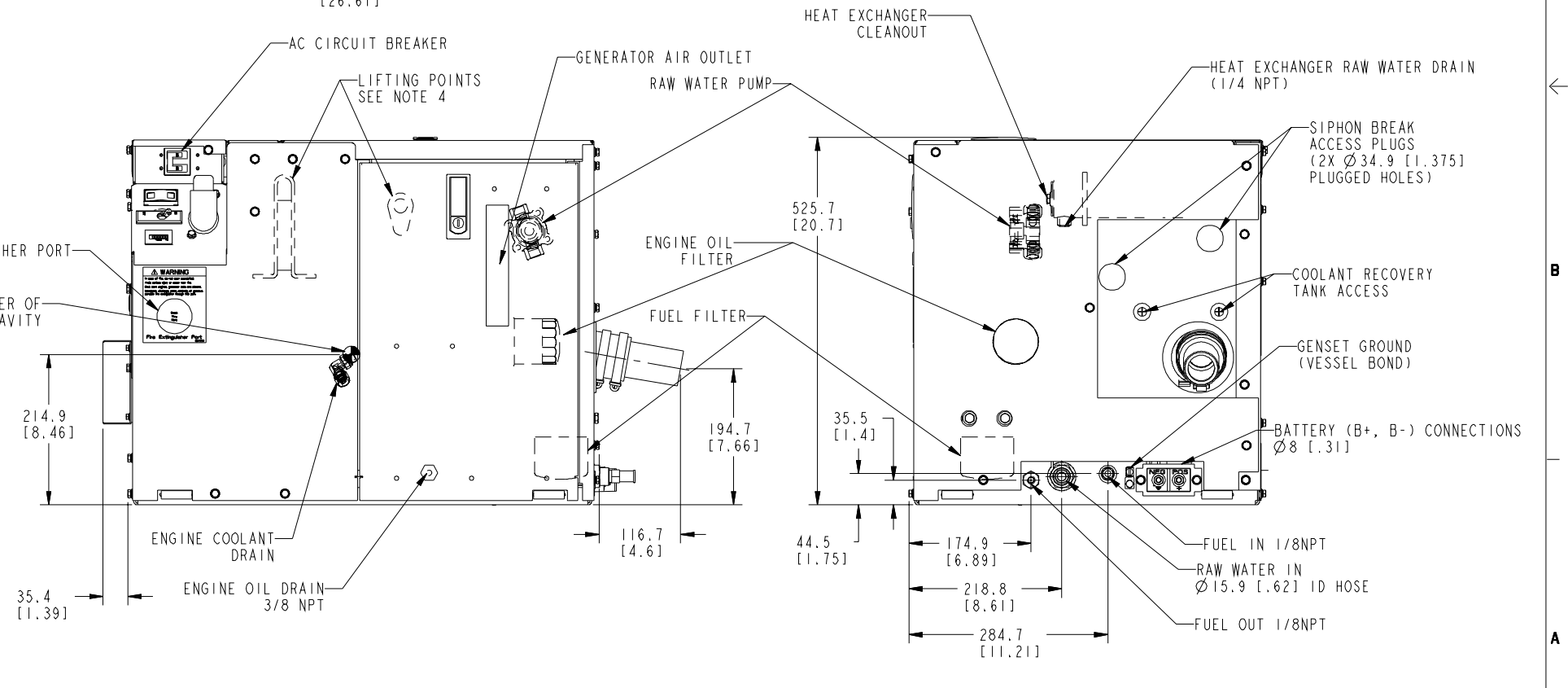
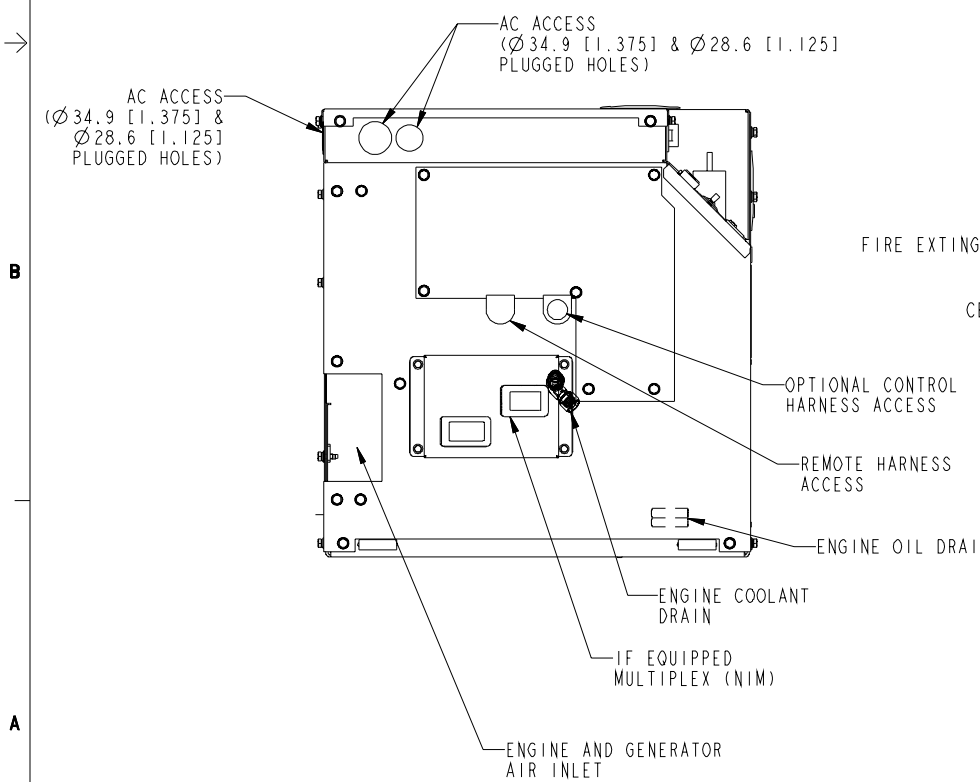
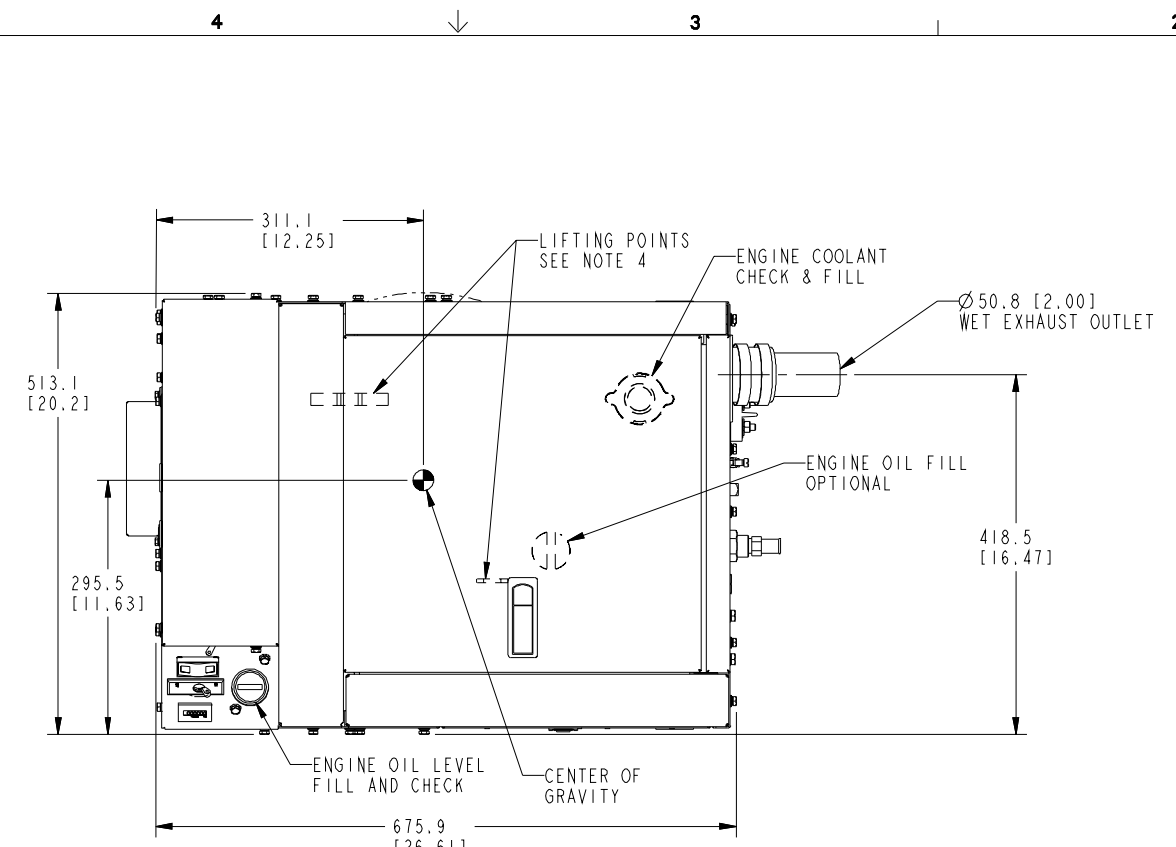
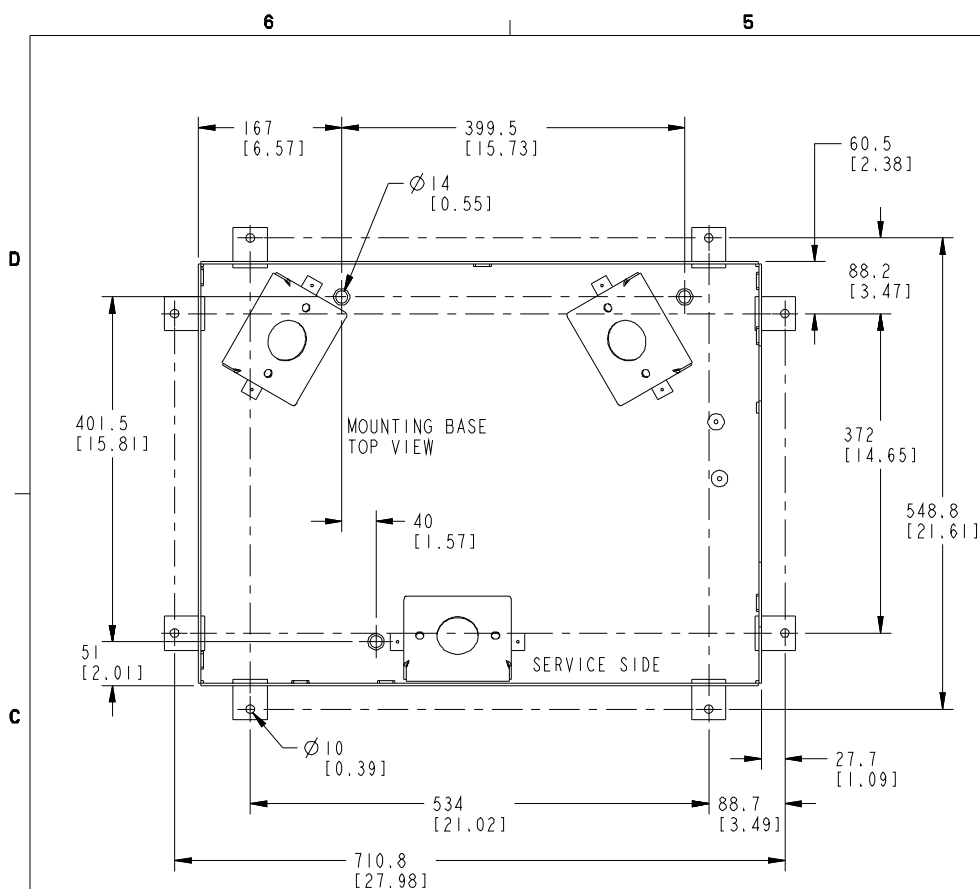


| REL NO | LTR | NO | REVISION | ZONE | DWN | CKD | APVD | DATE |
|----------|-----|----|--------------------------------|------|-----|-----|------|----------|
| FRD29056 | A | 1 | PRODUCTION RELEASE | | SK | KB | KB | 12-28-06 |
| FRD31967 | B | 1 | ADDED SPEC C WEIGHTS TO NOTE 5 | 2C | GS | DS | DWS | 05-14-07 |
| | | | | | | | | |
| | | | | | | | | |
| | | | | | | | | |

- NOTES:
1. DIMENSIONS IN [] ARE IN INCHES
 2. 25.4 [1.00] MINIMUM CLEARANCE REQUIRED FOR AIRFLOW AT AIR INLET AND OUTLET
 3. 4 TABS (2 PER SIDE AND 2 OPPOSITE) MINIMUM REQUIRED FOR USING EXTERNAL MOUNTING TABS
 4. TWO POINT LIFT IS REQUIRED
 5. UNIT WEIGHT:
 SPEC B: DRY: 159 kg (350 lb)
 WET: 163 kg (360 lb)
 SPEC C: DRY: 166 kg (365 lb)
 WET: 170 kg (375 lb)



| QTY | ITEM | PART NO | DESCRIPTION OR MATERIAL |
|---|------|---|---|
| UNLESS OTHERWISE SPECIFIED, ALL DIMENSIONS ARE IN MILLIMETERS | | | |
| SIM TO 0500_4138 | | DWN S_KIPKA | CUMMINS POWER GENERATION 1400 73RD AVENUE NE, MINNEAPOLIS, MN 55432 |
| DO NOT SCALE PRINT | | CKD K_BUTZ | |
| DATE 11-20-06 | | APVD K_BUTZ | GENSET OUTLINE SITE CODE |
| ANG TOL: $\pm 1.0^\circ$ SCALE: 1/4 | | DATE 11-20-06 | |
| DIM TOLERANCES: X ± 1 0.00-4.99 +0.15/-0.08 .X ± 0.8 5.00-9.99 +0.20/-0.10 .XX ± 0.38 10.00-17.49 +0.25/-0.13 .XXX ± 0.38 17.50-24.99 +0.30/-0.13 | | FOR INTERPRETATION OF DIMENSIONS AND TOLERANCES, SEE ASME Y12.5M-1994 | SHEET 1 OF 1 D 0500_4718 |

Pro/ENGINEER