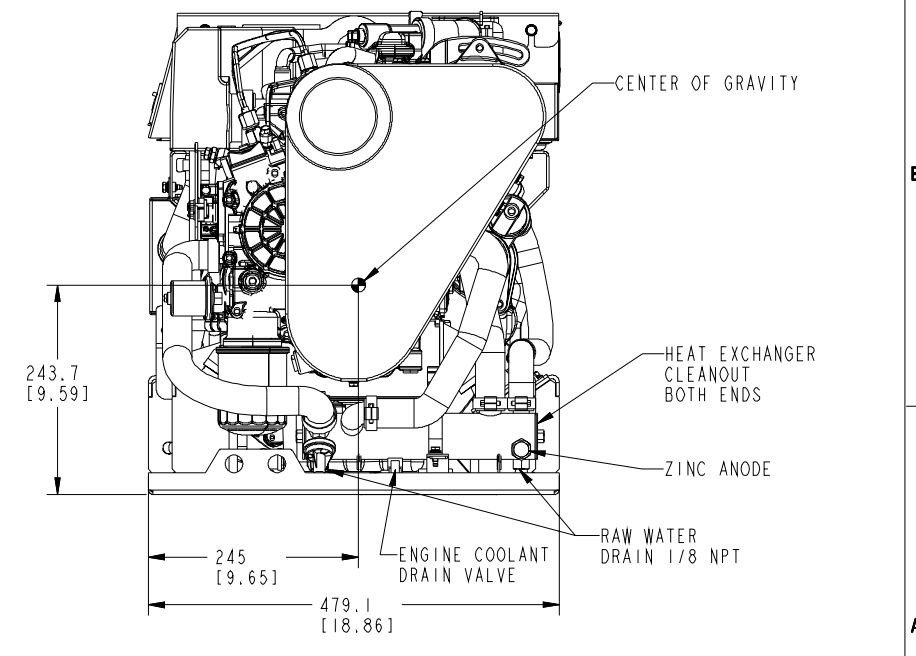
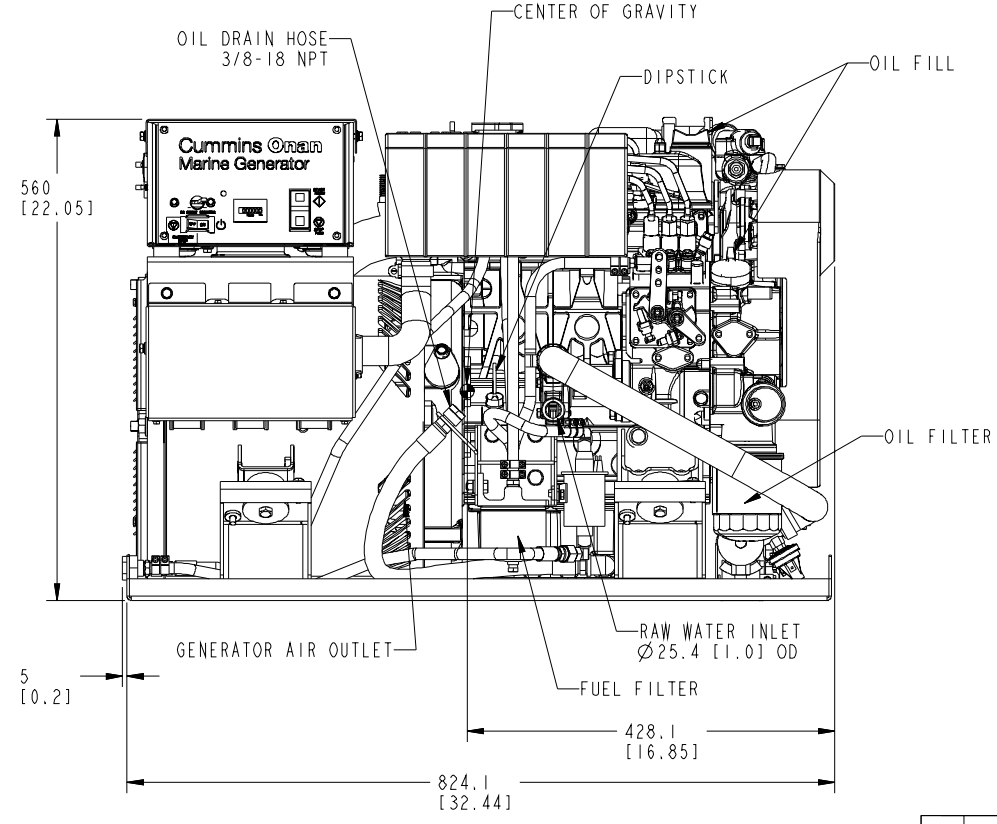
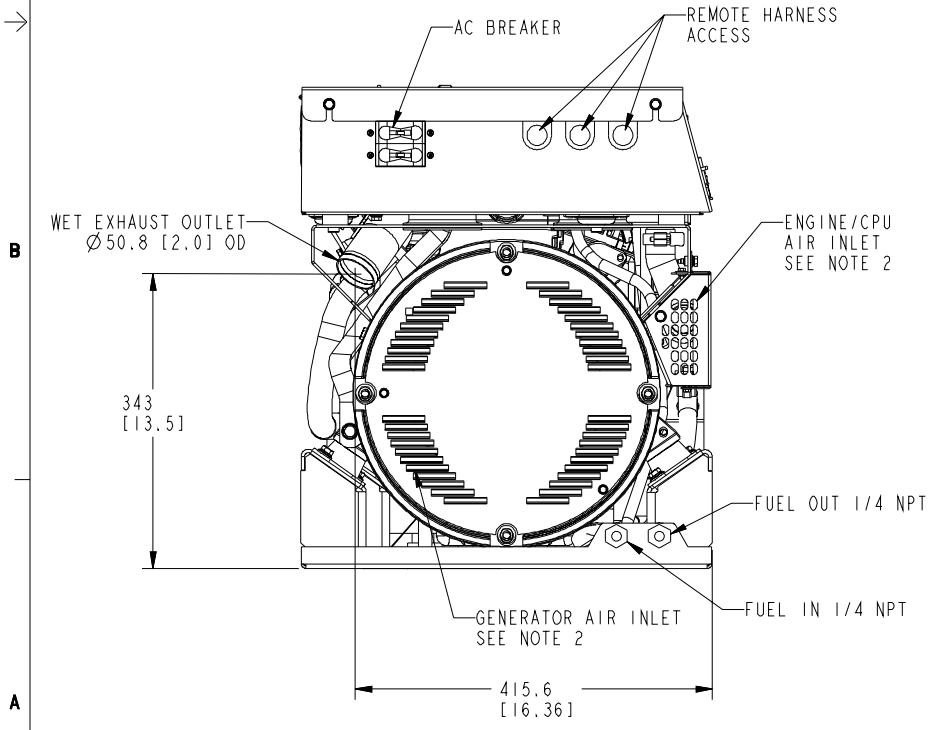
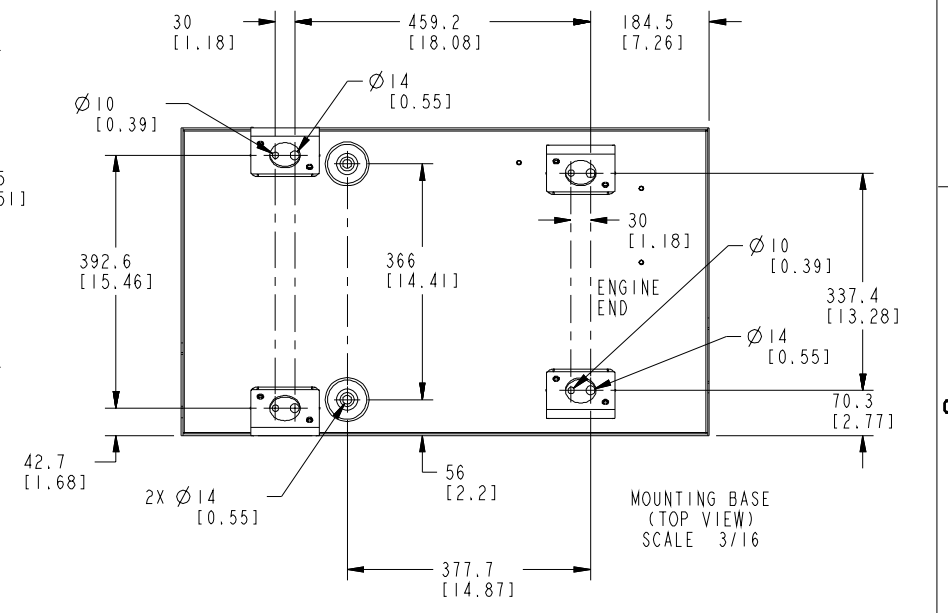
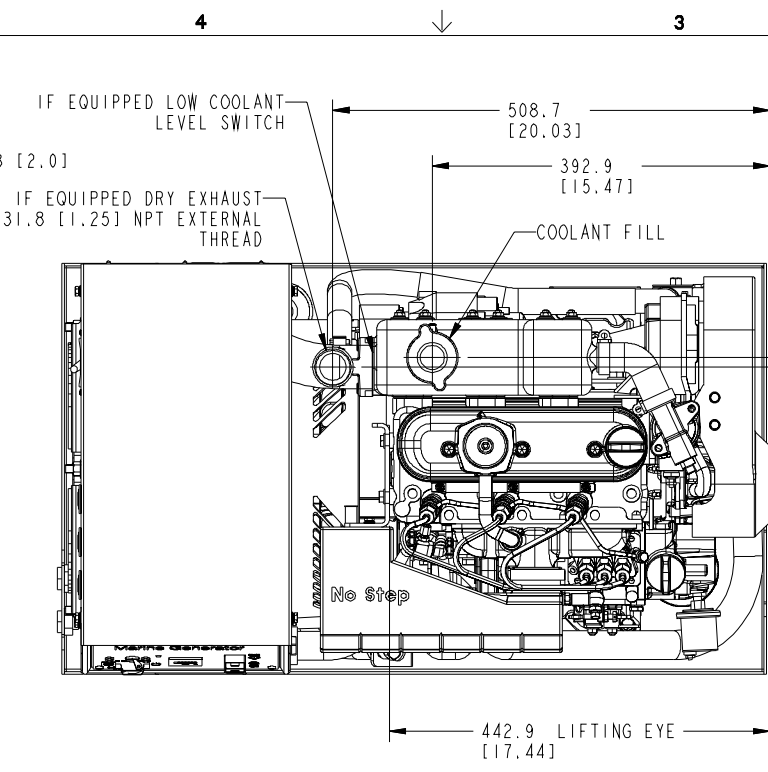
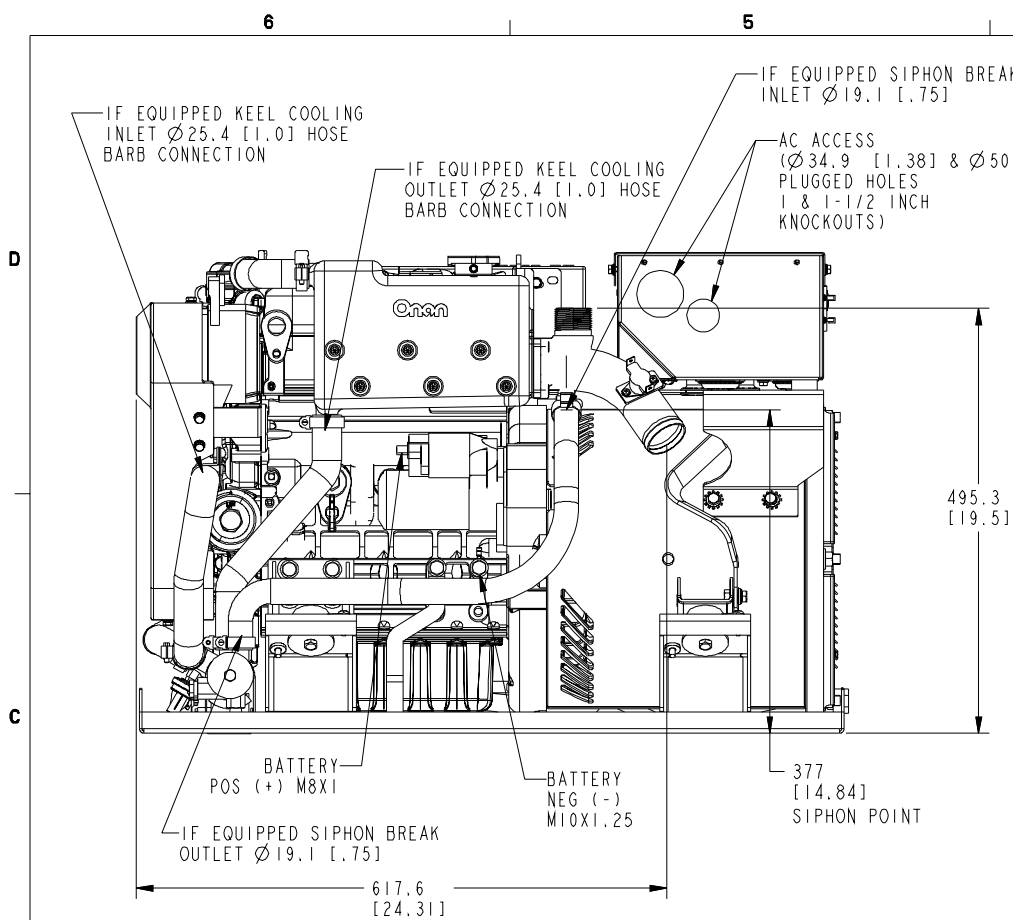


REL NO	LTR	NO	REVISION	ZONE	DWN	CKD	APVD	DATE
FRD29196	A	1	PRODUCTION RELEASE	-	SK	KB	KB	02-15-07
FRD32036	B	1	PICTORIAL UPDATE	-	JP	DS	DS	07-03-07

NOTES:
 1. DIMENSIONS IN [] ARE INCHES
 2. 25.4 [1.0] MIN CLEARANCE REQUIRED FOR AIR INLET TO GENERATOR AND ENGINE/CPU



MODEL	WET WEIGHT	DRY WEIGHT
MDKBK	245KG (540 LB)	238KG (525 LB)

QTY	ITEM	PART NO	DESCRIPTION OR MATERIAL
UNLESS OTHERWISE SPECIFIED, ALL DIMENSIONS ARE IN MILLIMETERS			
QTY	ITEM	PART NO	DESCRIPTION OR MATERIAL
1	0500_4110	DWN S_KIPKA	CUMMINS POWER GENERATION
1	0500_4752	CKD K_BUTZ	GENSET OUTLINE
1	0500_4752	APVD K_BUTZ	DATE 02-15-07
1	0500_4752	DATE 02-15-07	SHEET 1 OF 1
1	0500_4752	DATE 02-15-07	PRO/ENGINEER