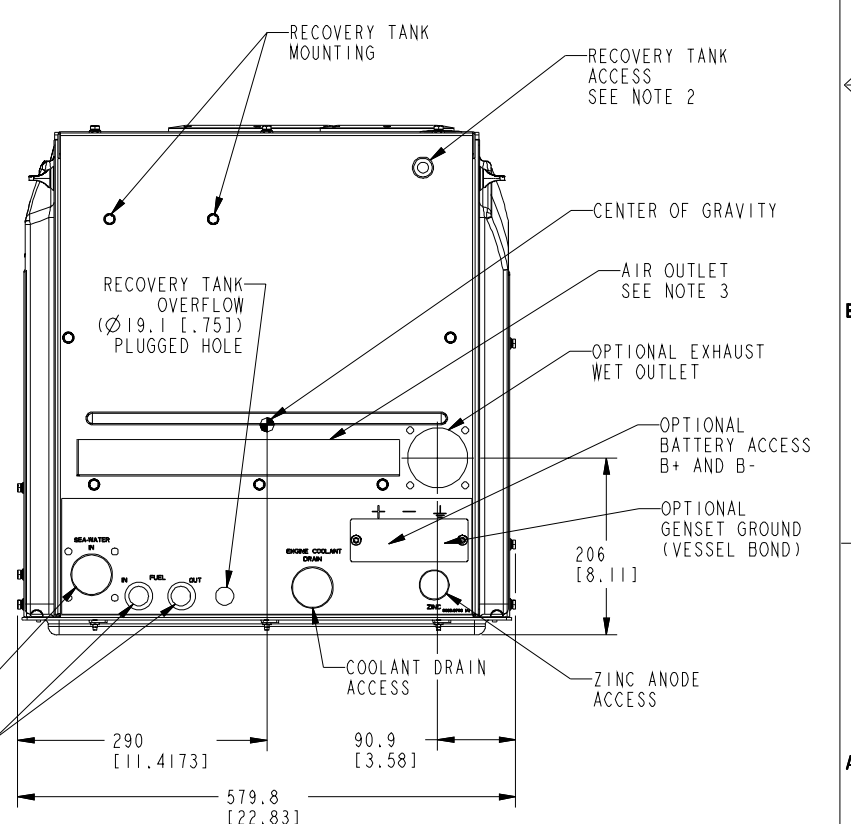
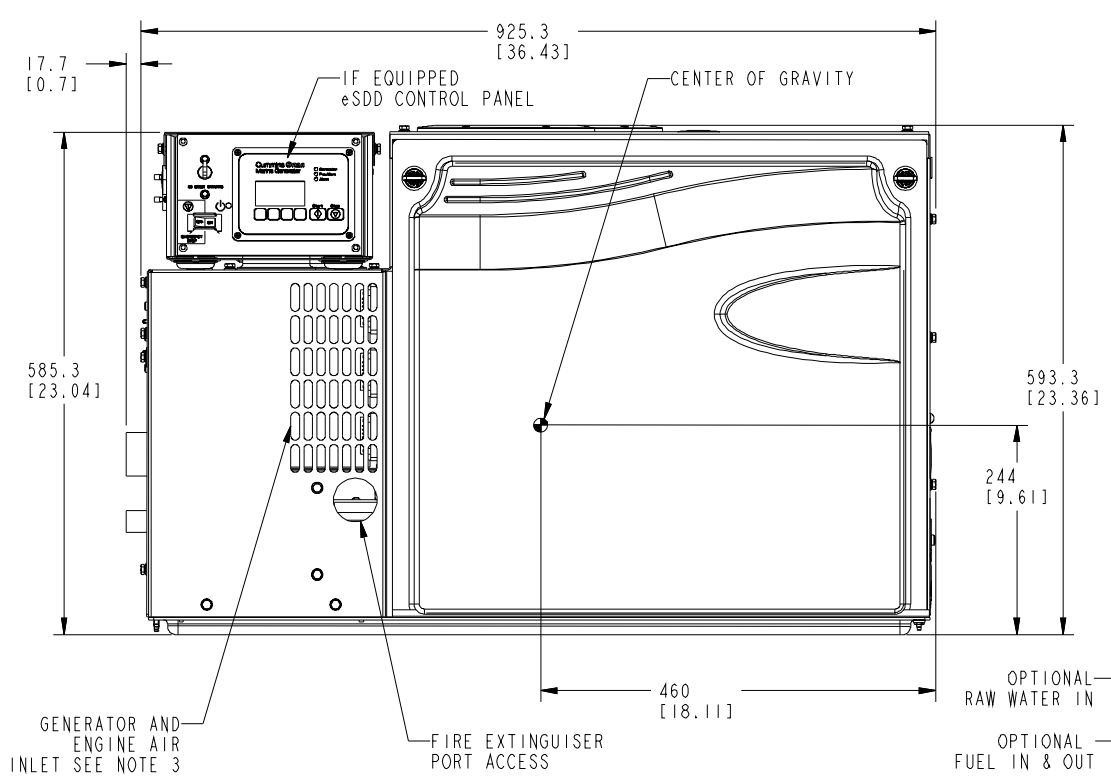
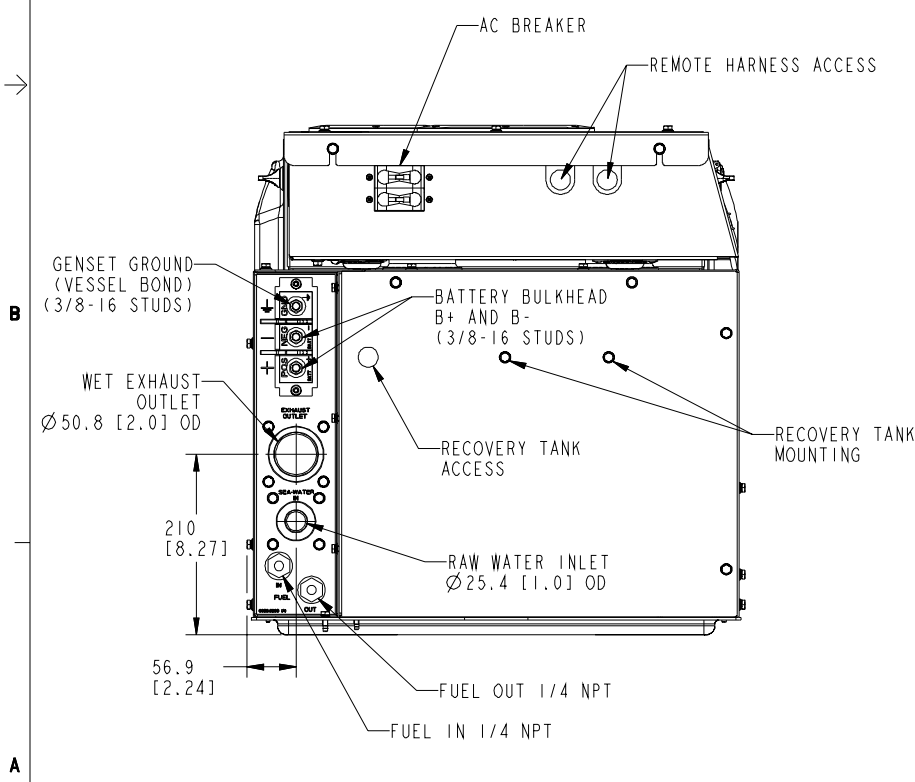
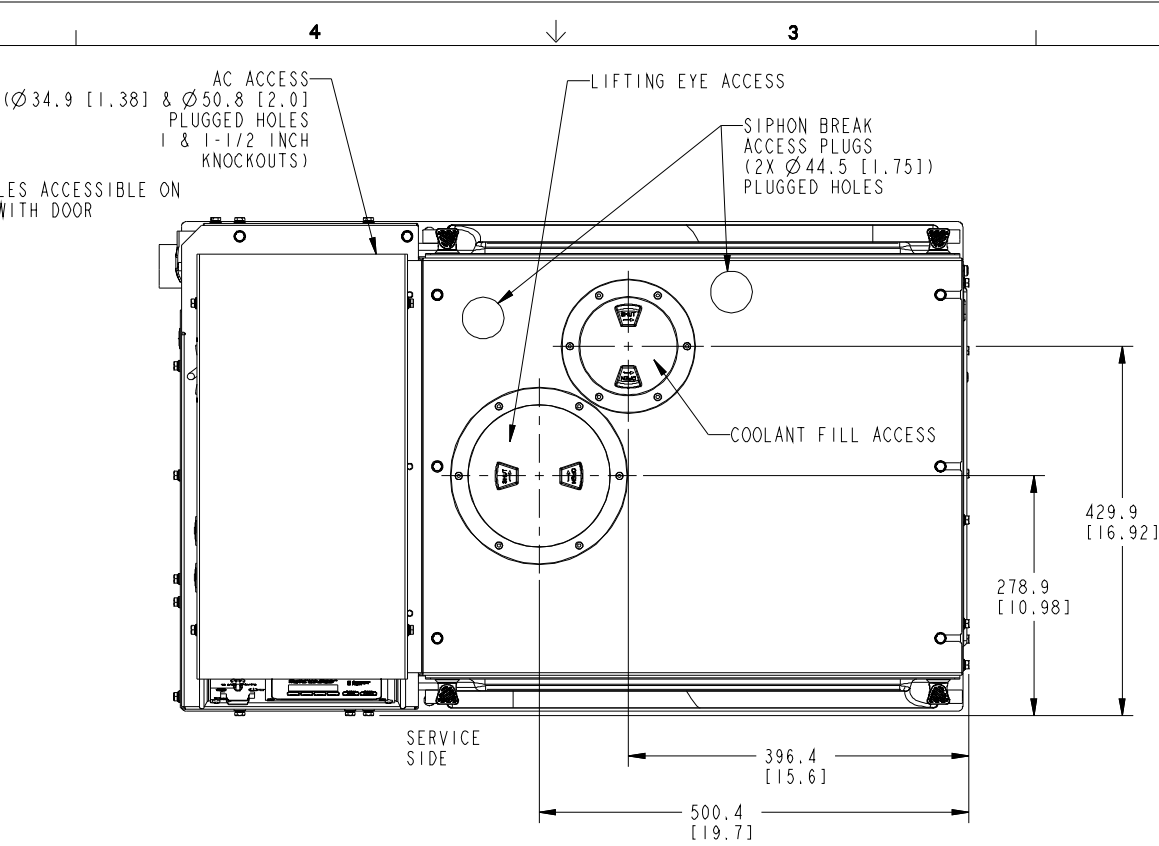
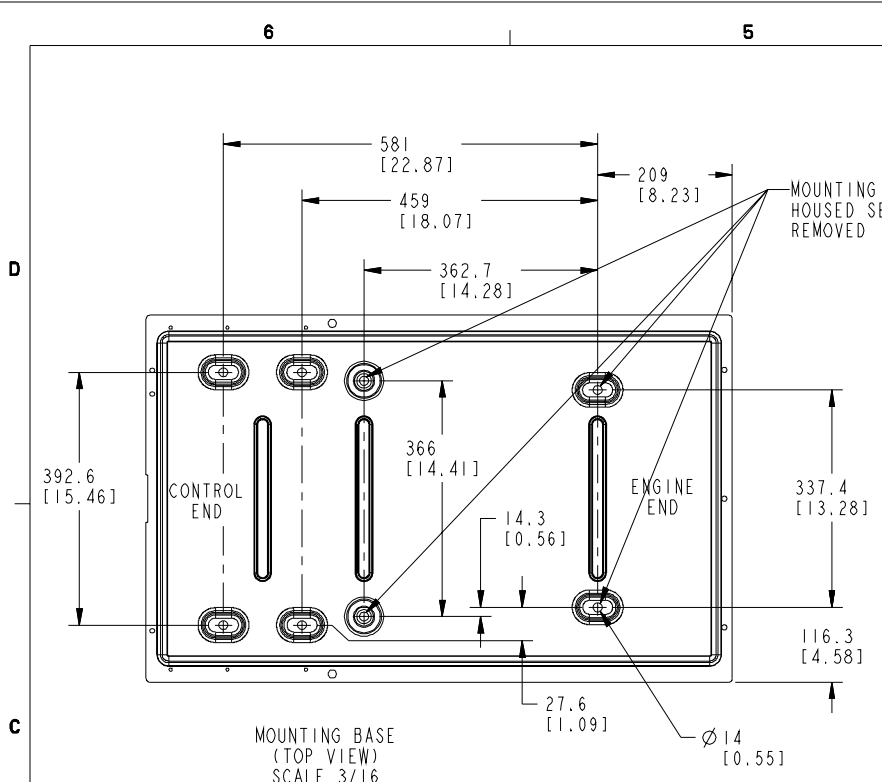


REL NO	LTR	NO	REVISION	ZONE	DW	CKD	APVD	DATE
FRD29196	A	1	PRODUCTION RELEASE		SK	KB	KB	02-14-07
FRD32036	B	1	PICTORIAL UPDATE		JP	DS	DS	07-03-07

- NOTES:
1. DIMENSIONS IN [] ARE INCHES.
 2. THRU HOLES FOR HOSE ROUTING INCLUDES RUBBER GROMMETS FOR ABRASION PROTECTION.
 3. 100 [4.0] MIN CLEARANCE REQUIRED FOR AIR FLOW AT INLET AND 50 [2.0] AT OUTLET.

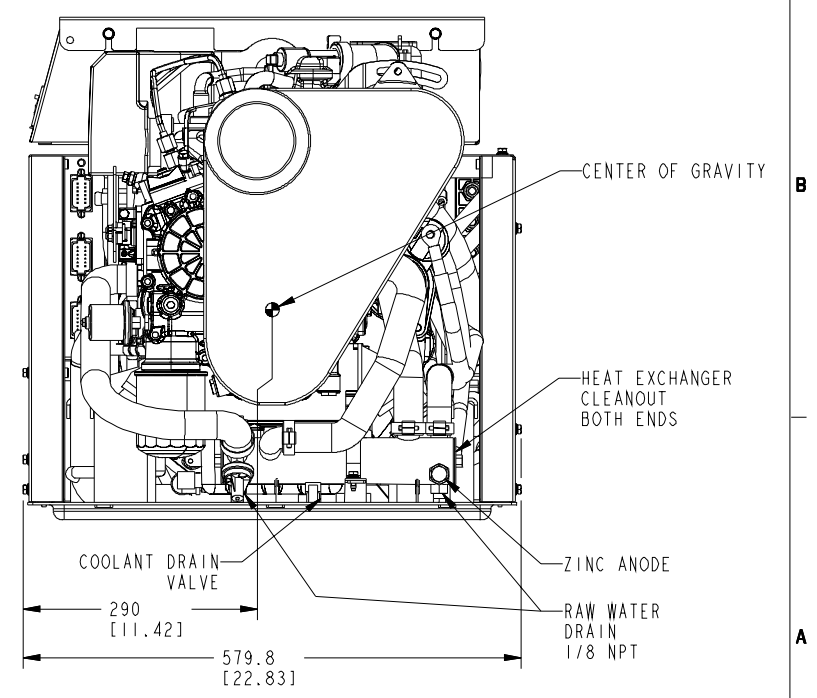
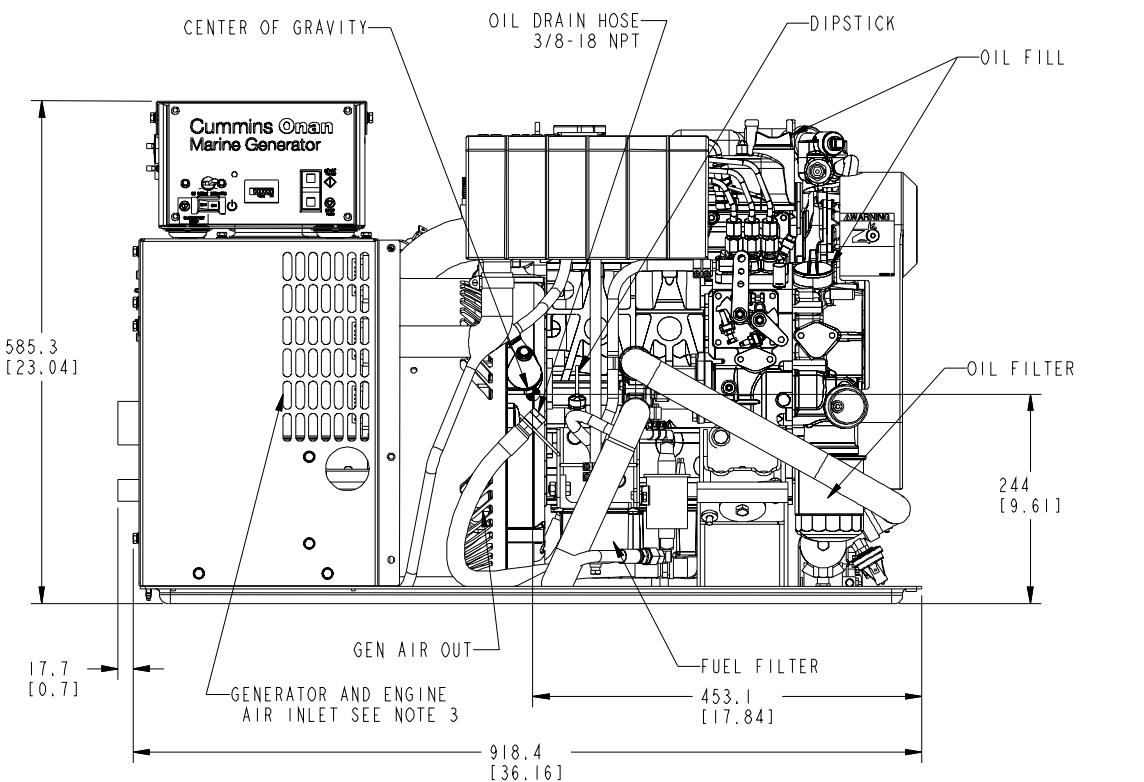
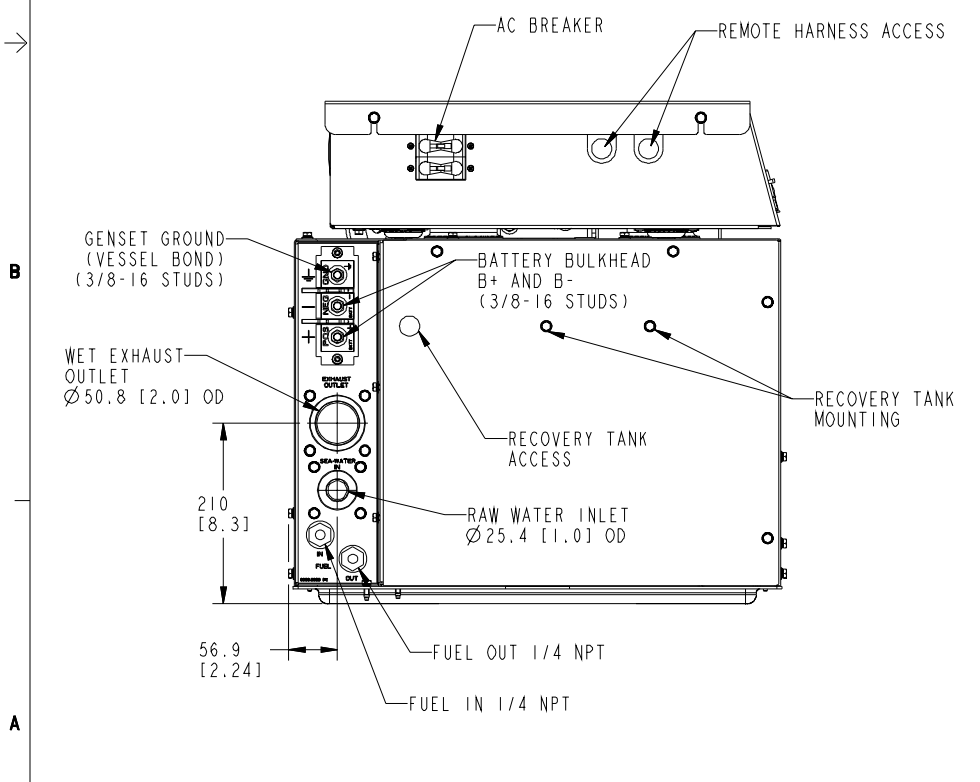
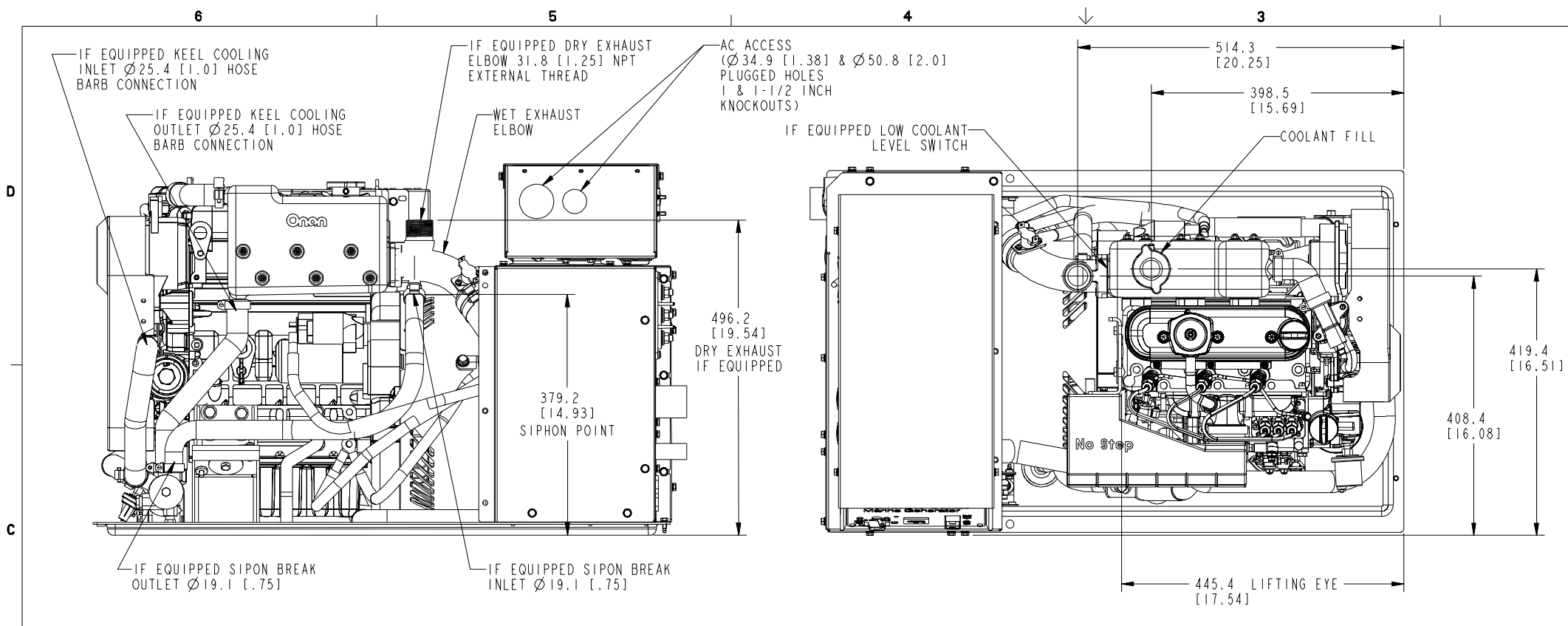
TABULATION		
MODEL	WET WEIGHT	DRY WEIGHT
HOUSED	279KG 615LB	272KG 600LB
UNHOUSED	259KG 570LB	252KG 555LB



UNLESS OTHERWISE SPECIFIED, ALL DIMENSIONS ARE IN MILLIMETERS		ITEM	PART NO	DESCRIPTION OR MATERIAL
X ± 1	0.00 - 4.99 +0.15/-0.08	SIM TO	0500_4199	DW S_KIPKA
.X ± 0.8	5.00 - 9.99 +0.20/-0.10	DO NOT SCALE PRINT		CKD K_BUTZ
.XX ± 0.38	10.00 - 17.49 +0.25/-0.13			APVD K_BUTZ
	17.50 - 24.99 +0.30/-0.13			DATE 01-30-07
ANG TOL: ± 1.0°	SCALE: 1/1	CONFIDENTIAL	FOR INTERPRETATION OF DIMENSIONS AND TOLERANCES, SEE ASME Y12.5M-1994	SHEET 1 OF 2
		PROPERTY OF CUMMINS POWER GENERATION GROUP	MDKBL	PGF
				0500_4753

CUMMINS POWER GENERATION
 1400 73RD AVENUE NE, MINNEAPOLIS, MN 55432
GENSET OUTLINE
 0500_4753
 Pro/ENGINEER

REL NO	LTR	NO	REVISION	ZONE	DWN	CKD	APVD	DATE
FRD29196	A	1	PRODUCTION RELEASE	-	SK	KB	KB	02-14-07
FRD32036	B	-	-----	-	JP	DS	DS	07-03-07



QTY	ITEM	PART NO	DESCRIPTION OR MATERIAL
UNLESS OTHERWISE SPECIFIED, ALL DIMENSIONS ARE IN MILLIMETERS			
SIM TO 0500_4199		DWN S_KIPKA	CUMMINS POWER GENERATION 1400 73RD AVENUE NE, MINNEAPOLIS, MN 55432 GENSET OUTLINE
DO NOT SCALE PRINT		CKD K_BUTZ	
APVD K_BUTZ		DATE 01-30-07	
DATE 01-30-07		SITE CODE	
ANG TOL: ± 1.0°		SCALE: 1/1	FOR INTERPRETATION OF DIMENSIONS AND TOLERANCES, SEE ASME Y12.5M-1994 MDKBL PGF
SHEET 2 OF 2		FILE D 0500_4753	SHEET 2 OF 2 PRO/ENGINEER