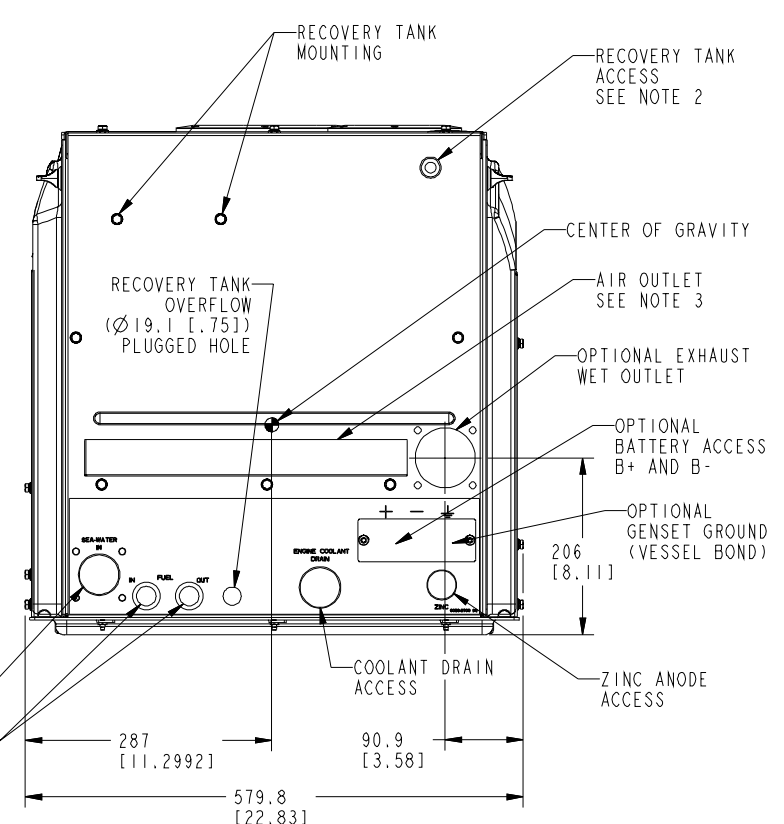
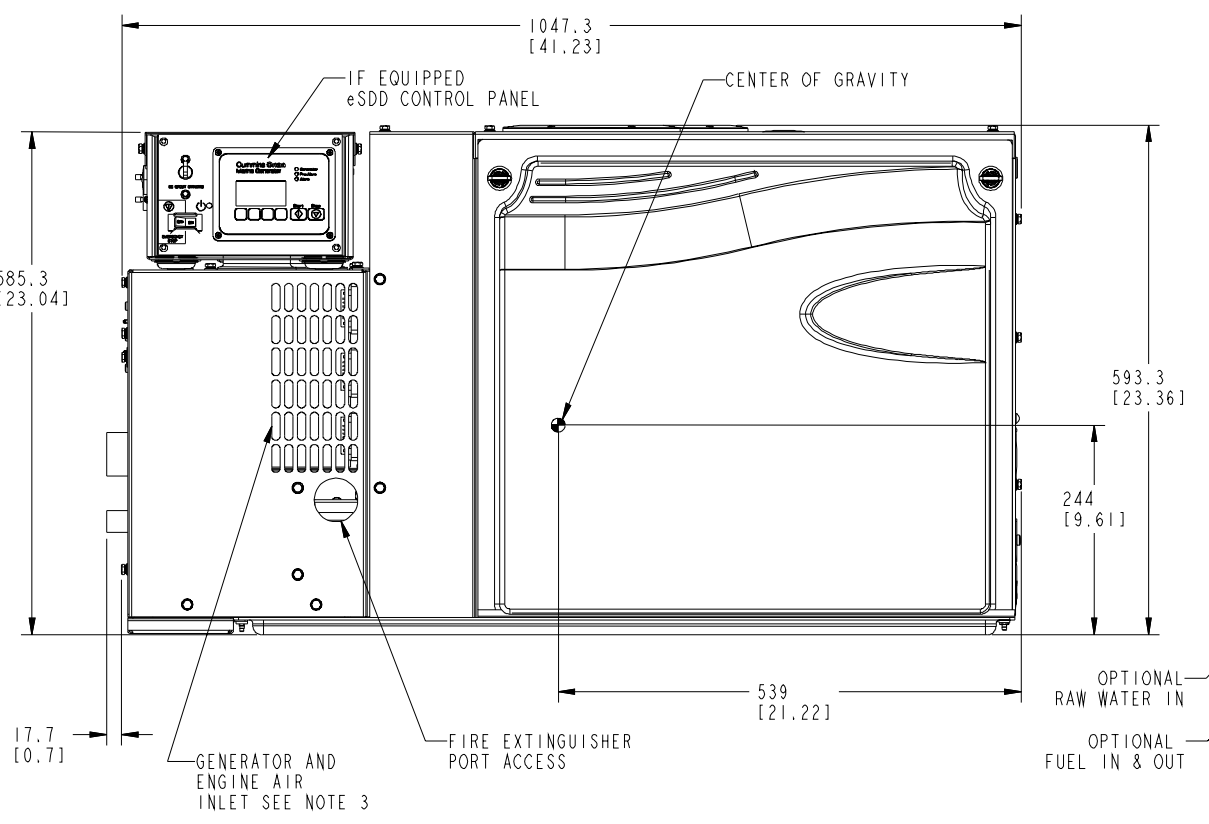
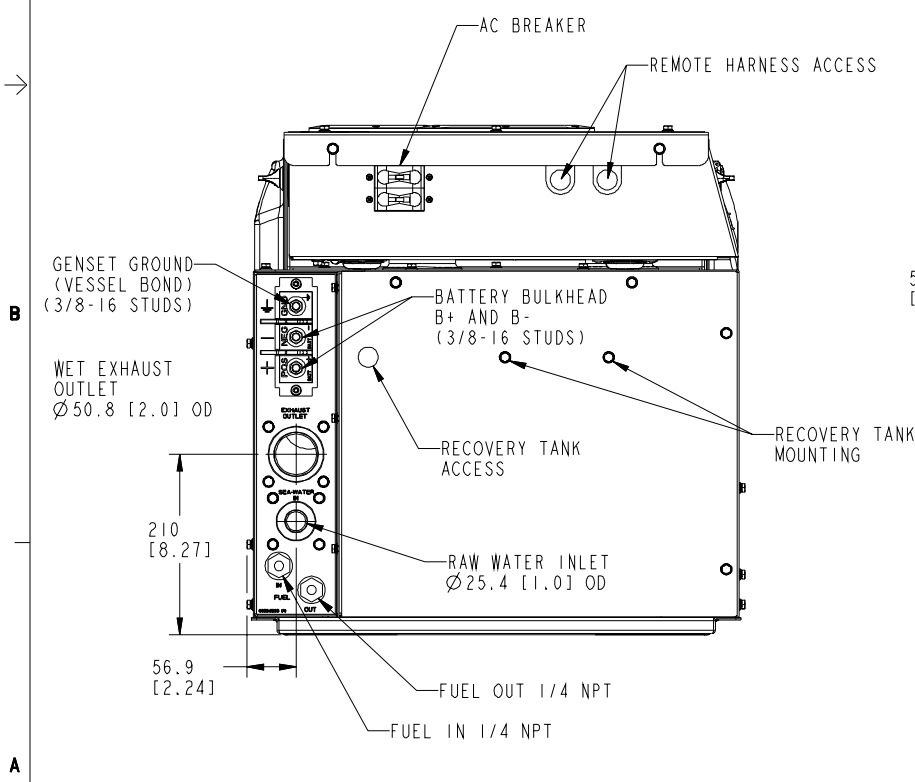
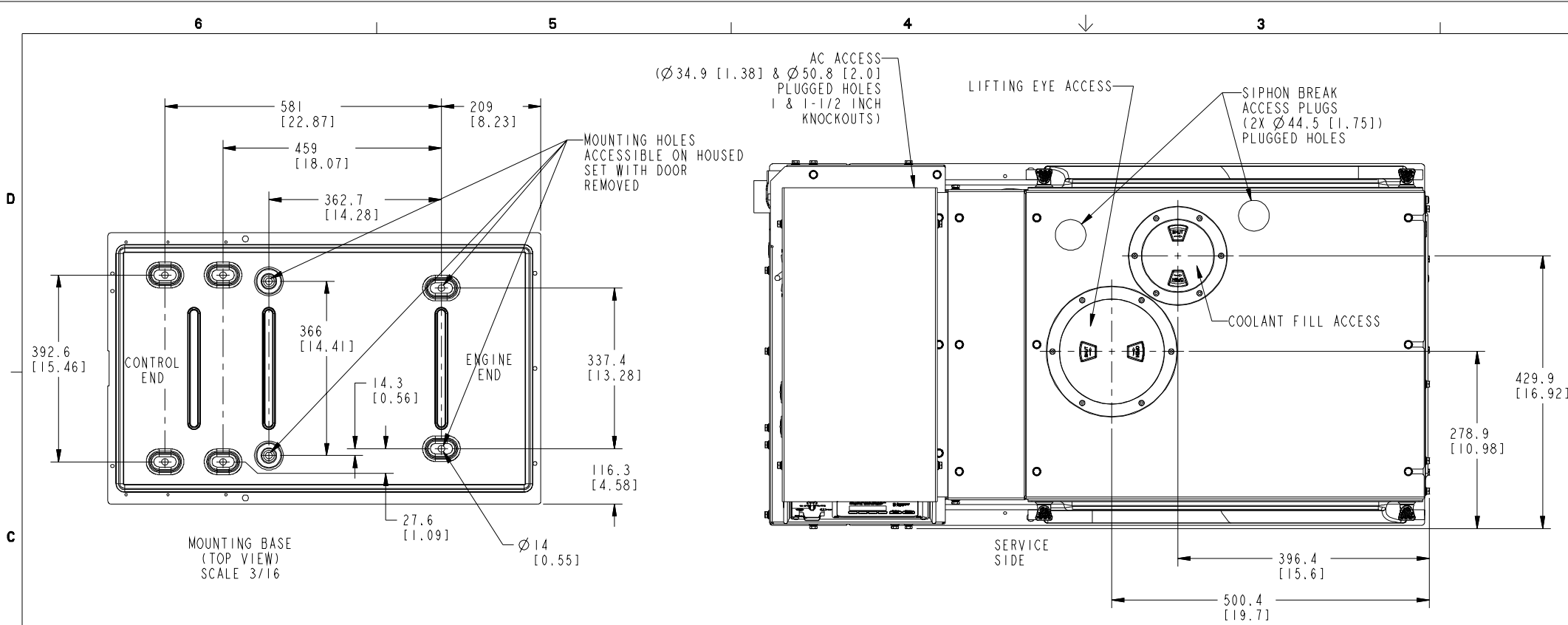


REL NO	LTR	NO	REVISION	ZONE	DWN	CKD	APVD	DATE
FRD29196	A	1	PRODUCTION RELEASE		SK	KB	KB	02-16-07
FRD32036	B	1	PICTORIAL UPDATE		JP	DS	DS	07-06-07

NOTES:

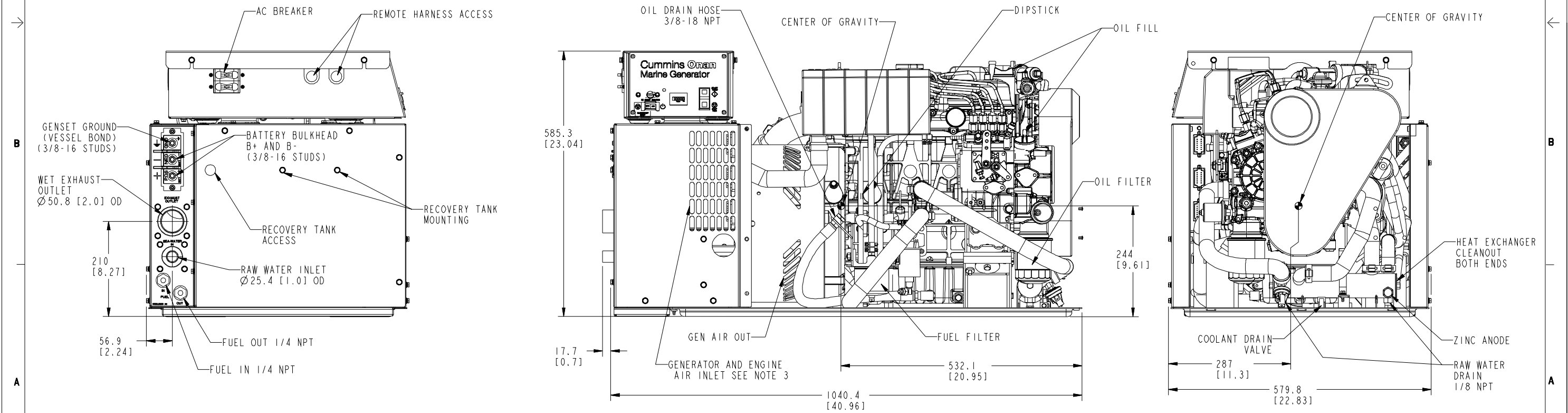
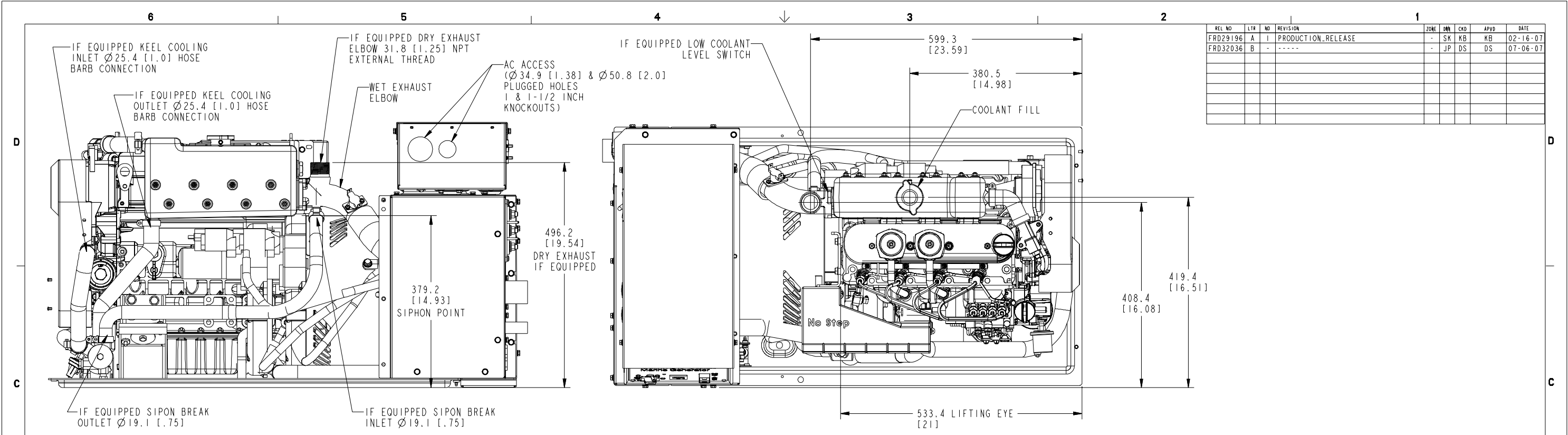
1. DIMENSIONS IN [] ARE INCHES.
2. THRU HOLES FOR HOSE ROUTING INCLUDES RUBBER GROMMETS FOR ABRASION PROTECTION.
3. 100 [4.0] MIN CLEARANCE REQUIRED FOR AIR FLOW AT INLET AND 50 [2.0] AT OUTLET.

TABULATION		
MODEL	WET WEIGHT	DRY WEIGHT
HOUSED	324KG 713LB	315KG 695LB
UNHOUSED	299KG 658LB	290KG 640LB



UNLESS OTHERWISE SPECIFIED, ALL DIMENSIONS ARE IN MILLIMETERS		ITEM	PART NO	DESCRIPTION OR MATERIAL
X ± 1	0.00 - 4.99 +0.15/-0.08	SIM TO	0500_4199	DWN S_KIPKA
.X ± 0.8	5.00 - 9.99 +0.20/-0.10	DO NOT SCALE PRINT		CKD K_BUTZ
.XX ± 0.38	10.00 - 17.49 +0.25/-0.13			APVD K_BUTZ
	17.50 - 24.99 +0.30/-0.13			DATE 02-15-07
ANG TOL: ± 1.0°	SCALE: 1/1	CONFIDENTIAL	PROPERTY OF CUMMINS POWER GENERATION GROUP	FOR INTERPRETATION OF DIMENSIONS AND TOLERANCES, SEE ASME Y12.5M-1994
				CUMMINS POWER GENERATION 1400 73RD AVENUE NE, MINNEAPOLIS, MN 55432
				GENSET OUTLINE
				SHEET 1 OF 2
				0500_4754
				PGF
				MDKBM/N

REL NO	LTR	NO	REVISION	ZONE	DWN	CKD	APVD	DATE
FRD29196	A	1	PRODUCTION RELEASE	-	SK	KB	KB	02-16-07
FRD32036	B	-	-----	-	JP	DS	DS	07-06-07



UNLESS OTHERWISE SPECIFIED, ALL DIMENSIONS ARE IN MILLIMETERS		DTY	ITEM	PART NO	DESCRIPTION OR MATERIAL
X ± 1	0.00 - 4.99 +0.15/-0.08	SIM TO	0500_4199	DWN	S_KIPKA
.X ± 0.8	5.00 - 9.99 +0.20/-0.10	DO NOT SCALE PRINT		CKD	K_BUTZ
.XX ± 0.38	10.00 - 17.49 +0.25/-0.13			APVD	K_BUTZ
	17.50 - 24.99 +0.30/-0.13			DATE	02-15-07
ANG TOL: ± 1.0°	SCALE: 1/1	CONFIDENTIAL	PROPERTY OF CUMMINS POWER GENERATION GROUP	FOR INTERPRETATION OF DIMENSIONS AND TOLERANCES, SEE ASME Y12.5M-1994	FIRST USED ON MDKBM/N
CUMMINS POWER GENERATION 1400 73RD AVENUE NE, MINNEAPOLIS, MN 55432		SITE CODE		PGF	
GENSET OUTLINE		D		0500_4754	
SHEET 2 OF 2		PRO/ENGINEER		B	